

ENGINEERING
TOMORROW

Danfoss

Catalog

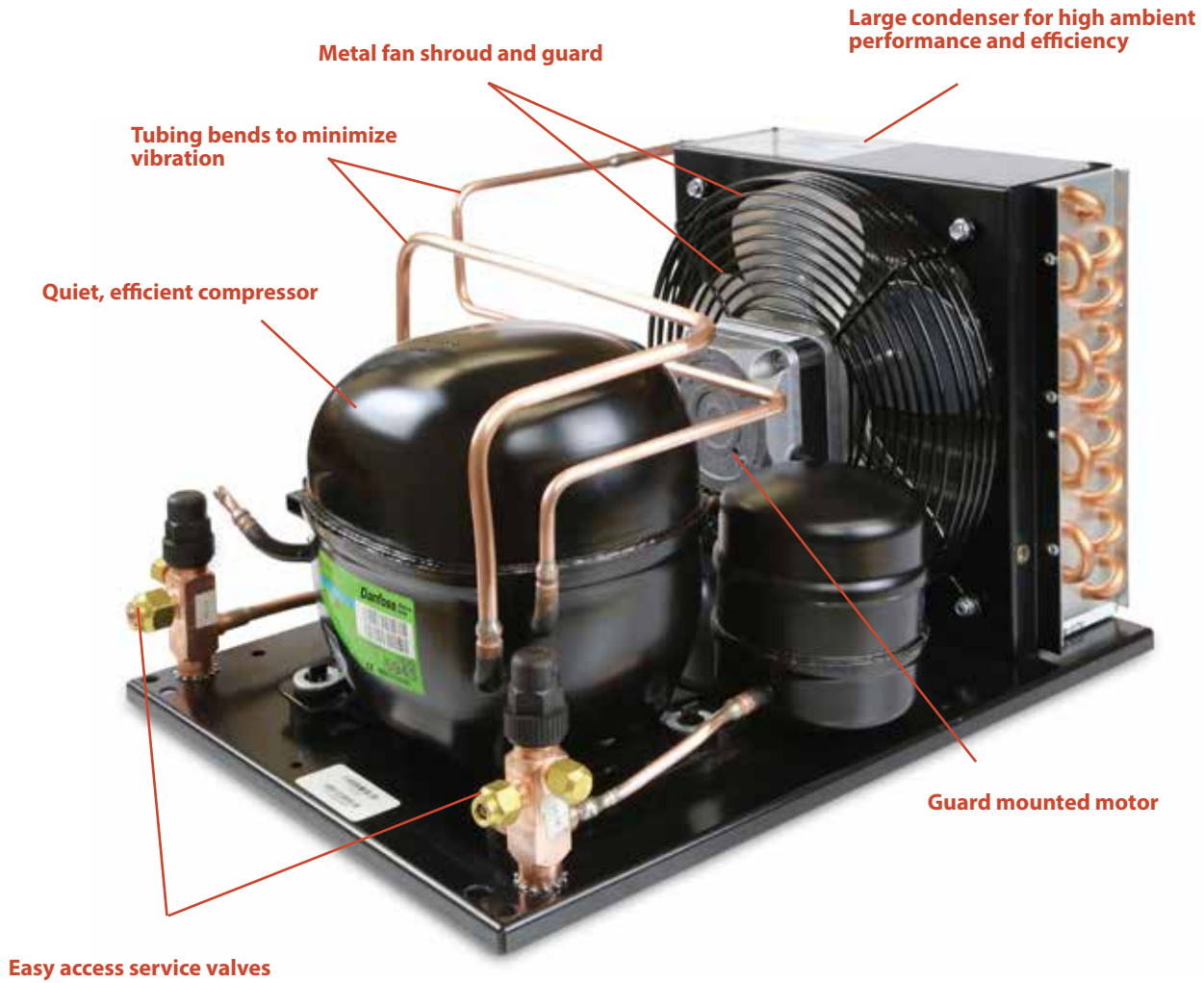
Optyma™ light commercial condensing units **Reliable operation and easy installation**

R404A / R507, R134a - 60Hz - 1/6HP - 1HP

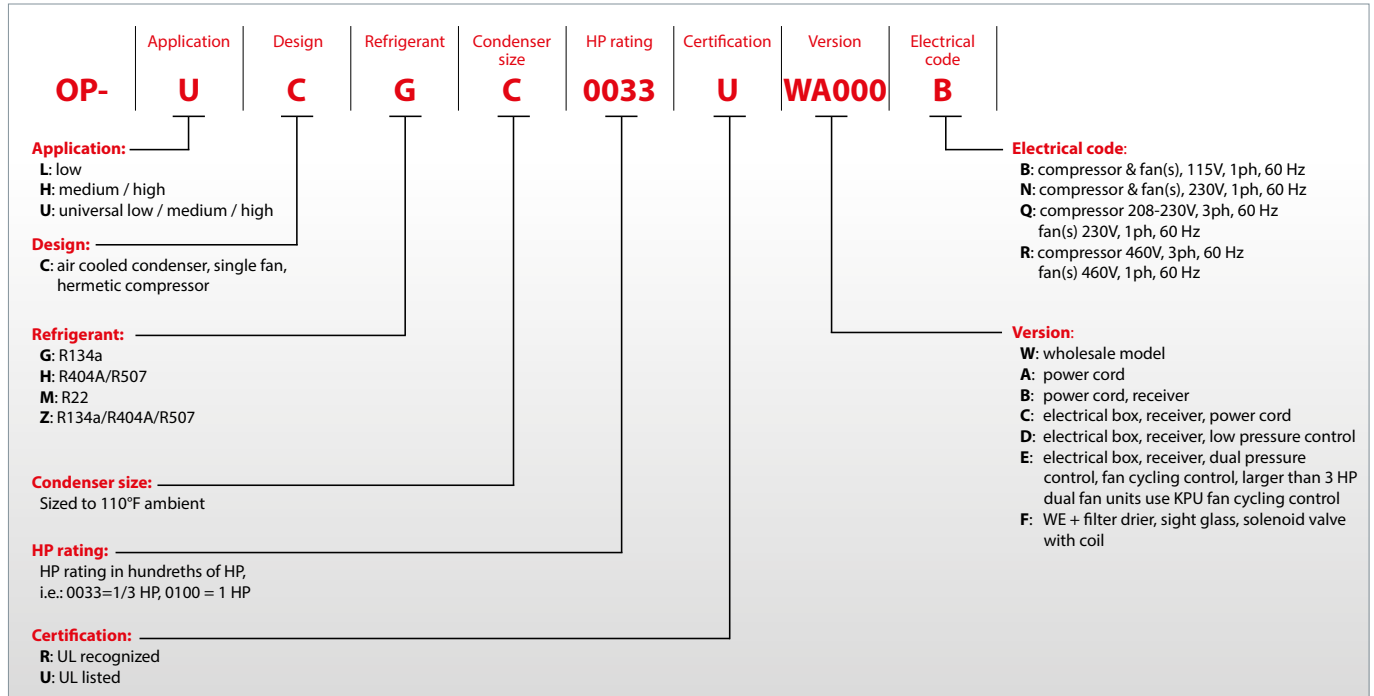


www.danfoss.us/aftermarket

Optyma™ condensing unit features	4
Optyma™ condensing unit R134a - MBP	6
Optyma™ condensing unit R404A/R507 - MBP	8
Optyma™ condensing unit R404A/R507 - LBP	10
Spare parts	12
Electrical wiring diagrams	14
Dimensions	16



Optyma™ condensing unit nomenclature / model no.



R134a

OPTYMA

MADE IN USA

Model	[]		
	HCGC0033RWB000B	←	
Danfoss Code	[]		
	114N2022	←	
Serial Number	[]		
	0012345AU0116	←	

Compressor:
115V-60Hz-1Ph LRA43.1A RLA8.9A

Fan Motor:
115V FLA 0.45 A

MCA: 11.6 A

Max. Fuse/HACR breaker: 20.0

Design Pressure:
Low/High side 87/185psi

Refrigerant: R134a

Oil Type: Polyolester

Housing for Outdoor use:

Wiring diagram: 119-3987

OP-HCGC0033RWB000B NF11FX (Model no.)

114N2022 (Code no.)

Date Code: XXXXXXX**AU0116**
 7 digits = serial #
 AU = Assembled in US
 01 = Week of Manufacture
 16 = Year of Manufacture

R404A/R507

Fan	Model no	Version	Electrical code	Code no	Compressor model	Amb. temp.		Capacity range in (btu/hr) at evaporating temperature								Power consumption [W] at evap. temp. 20 F		
						°F	°C	0	5	10	15	20	25	30	35		40	45
								-17.8	-15.0	-12.2	-9.4	-6.7	-3.9	-1.1	1.7		4.4	7.2
Single fan	OP-UCGC0017R	WA	B	114N2016	TL4G	90	32	550	600	700	800	900	1000	1100	1200	1350	1450	150
						95	35	500	600	650	750	850	950	1050	1150	1300	1400	
						100	38	450	550	650	700	800	900	1000	1100	1200	1350	
						110	43	400	500	550	650	750	800	900	1050	1150	1250	
	OP-UCGC0020R	WA	B	114N2017	NF6.1FX.2	90	32	1050	1200	1350	1500	1700	1850	2050	2250	2450	2700	250
						95	35	1000	1150	1300	1450	1600	1800	2000	2200	2400	2600	
						100	38	950	1100	1250	1400	1550	1750	1900	2100	2300	2500	
						110	43	900	1000	1150	1300	1450	1600	1800	1950	2150	2350	
	OP-UCGC0025R	WB	B	114N2019	NF7.3FX.2	90	32	1250	1400	1600	1750	1950	2150	2400	2600	2850	3100	350
						95	35	1200	1350	1550	1700	1900	2100	2300	2500	2750	3000	
						100	38	1150	1300	1450	1650	1800	2000	2200	2450	2650	2900	
						110	43	1050	1200	1350	1550	1700	1900	2050	2250	2450	2700	
	OP-HCGC0033R	WB	B	114N2022	NF11FX	90	32		2050	2300	2550	2850	3100	3450	3750	4100	4450	450
						95	35		1950	2200	2450	2750	3000	3300	3650	3950	4300	
						100	38		1900	2100	2350	2600	2900	3200	3500	3800	4150	
						110	43		1750	1950	2200	2450	2700	2950	3250	3550	3850	
	OP-UCGC0050R	WC	B	114N2023	SC18G	90	32	2350	2700	3050	3450	3800	4250	4700	5150	5650	6150	700
						95	35	2300	2600	2950	3300	3700	4100	4500	4950	5400	5900	
						100	38	2200	2500	2800	3200	3550	3950	4350	4750	5200	5650	
						110	43	2000	2300	2600	2900	3250	3600	4000	4400	4800	5200	
	OP-HCGC0055R	WB	B	114N2025	NT6215Z	90	32		2900	3300	3800	4300	4850	5450	6100	6700	7350	700
						95	35		2800	3200	3650	4150	4650	5250	5850	6450	7050	
						100	38		2650	3050	3500	3950	4500	5050	5600	6150	6750	
	OP-HCGC0055U	WC		114N2026		110	43				3250	3700	4150	4700				
	OP-HCGC0075U	WC	B	114N2027	NJ6220Z	90	32		4350	4850	5550	6250	7150	8050	9100	10100	11200	1000
						95	35		4100	4700	5350	6100	6950	7850	8800	9800	10850	
			N	114N2028	100	38		3900	4500	5150	5900	6750	7600	8550	9500	10450		
					110	43				4850	5600	6400	7250	8100				
OP-HCGC0100U	WD	N	114N2029	NJ6226Z	90	32		6800	7450	8200	9050	9950	10950	12000	13050	14200	1200	
					95	35		6300	7000	7750	8550	9450	10400	11450	12450	13550		
					100	38			6550	7300	8100	8950	9900	10900	11850	12900		
					110	43				6500	7250	8100	9000					

Test condition

Return gas temperature 65°F
Subcooling 5°F

Electrical code

B: Compressor & fan(s) 115V, 1 ph, 60 Hz
N: Compressor & fan(s) 230V, 1 ph, 60 Hz

Version

WA: power cord
WB: power cord, receiver
WC: electrical box, receiver, power cord
WD: electrical box, receiver, low pressure control

HP rating in hundredths of HP, i.e.: 0033=1/3 HP, (OP-UCGC0025R: 0025=1/4 HP)
Power consumption referred at 90°F ambient temperature

Model no	Condenser fan		Receiver lbs @ 90%	Dimensions (in) ⁽¹⁾					Weight (lbs)		MCA (A)	Electrical code	Wiring diagram code ⁽²⁾
	Fan blade Ø (in)			Figure	Height H (in)	Width W (in)	Depth D (in)	Suction line	Liquid line	Gross			
OP-UCGC0017R	8		---	1	9.0	11	14	3/8" F	1/4" F	32	4.1	B	119-3993
OP-UCGC0020R	8		---	2	9.0	11	14	3/8" F	1/4" F	32	6.1	B	119-3987
OP-UCGC0025R	8		2.16	2	9.1	13.5	17	3/8" F	1/4" F	45	6.4	B	119-3987
OP-HCGC0033R	9		2.16	2	10.3	13.5	17	3/8" F	1/4" F	47	11.7	B	119-3987
OP-UCGC0050R	10		2.16	3	11.8	13.5	17	1/2" F	1/4" F	57	13.7	B	119-3983
OP-HCGC0055R	10		4	4	11.9	14	18	3/8" F	1/4" F	67	15	B	119-3988
OP-HCGC0075R	12		4	4	13.2	16.9	19	1/2" F	1/4" F	100	19.2	B	119-3983
											10.5	N	119-3985
OP-HCGC0100U	12		4	4	16.1	21.1	20.8	1/2" F	1/4" F	113	11.2	N	119-3990

⁽¹⁾Dimensions (in) available on pages 16-19

⁽²⁾Wiring diagram available on pages 14-15
 For spare parts, see pages 12-13

Fan	Model no	Version	Electrical code	Code no	Compressor model	Amb. temp.		Capacity range in (btu/hr) at evaporating temperature									Power consumption [W] at evap. temp. 20 F	
						°F	°C	0	5	10	15	20	25	30	35	40		45
								-17.8	-15.0	-12.2	-9.4	-6.7	-3.9	-1.1	1.7	4.4		7.2
Single fan	OP-UCHC0020R	WA	B	114N2316	TF4CLX	90	32	1000	1100	1250	1400	1500	1650	1800	2000	2150	2300	300
						95	35	950	1050	1200	1300	1450	1600	1750	1900	2050	2200	
						100	38	900	1000	1100	1250	1350	1500	1650	1800			
						110	43	800	900	1000	1150	1250	1400	1500				
	OP-UCHC0025R	WB	B	114N2318	NF5.5CLX	90	32	1650	1850	2050	2250	2450	2650	2900	3150	3400	3650	450
						95	35	1600	1750	1950	2150	2350	2550	2800	3000	3250	3500	
						100	38	1500	1650	1850	2050	2250	2450	2650	2900	3100	3350	
						110	43	1350	1550	1700	1850	2050	2250					
	OP-UCHC0033R	WB	B	114N2321	NF7CLX	90	32	2050	2250	2500	2750	3000	3250	3550	3850	4100	4450	550
						95	35	1950	2150	2400	2600	2850	3100	3400	3650	3950	4250	
						100	38	1850	2050	2250	2500	2700	2950	3200	3500	3750	4050	
						110	43	1650	1850	2050								
	OP-UCHC0050R	WB	B	114N2324	SC10CL	90	32	2450	2750	3100	3400	3750	4100	4500	4900	5250	5700	700
						95	35	2300	2600	2900	3200	3550	3850	4250	4600	4950	5350	
						100	38	2100	2400	2700	3000	3300	3600	3950	4300	4650	5000	
						110	43	1850	2100	2350	2600	2850	3150					
	OP-UCHC0050U	WC	N	114N2325	SC10CL	90	32	2450	2750	3100	3400	3750	4100	4500	4900	5250	5700	700
						95	35	2300	2600	2900	3200	3550	3850	4250	4600	4950	5350	
						100	38	2100	2400	2700	3000	3300	3600	3950	4300	4650	5000	
						110	43	1850	2100	2350	2600	2850	3150					
	OP-HCHC0060U	WC	B	114N2328	SC12MLX	90	32	3400	3750	4200	4600	5050	5550	6050	6600	7100	7700	900
						95	35	3200	3550	3950	4350	4800	5250	5750	6250	6750	7300	
			N	114N2329	SC12MLX	100	38	3000	3350	3700	4100	4500	4950	5400	5900	6400	6900	
						110	43	2650	2950	3300	3700	4050	4450	4900				
OP-HCHC0075U	WC	B	114N2330	SC18MLX	90	32	4400	4950	5500	6150	6800	7500	8250	9000	9800	10650	1000	
					95	35	4150	4700	5250	5850	6500	7200	7900	8650	9400	10250		
		N	114N2331	NT6220GK	100	38	3900	4450	5000	5600	6200	6850	7550	8300	9050	9850		
					110	43	3500	4000	4550	5100	5700	6350	7000					
OP-HCHC0100U	WD	N	114N2332	NT6222GK	90	32		5900	6650	7450	8200	9000	9850	10650	11450	12300	1300	
					95	35		5600	6350	7100	7800	8600	9350	10150	10950	11750		
					100	38			6000	6700	7400	8150	8900	9650	10400	11150		
					110	43				6100	6750	7400	8100	8800				

Test condition

Return gas temperature 65°F
Subcooling 5°F

Electrical code

B: Compressor & fan(s) 115V, 1 ph, 60 Hz
N: Compressor & fan(s) 230V, 1 ph, 60 Hz

Version

WA: power cord
WB: power cord, receiver
WC: electrical box, receiver, power cord
WD: electrical box, receiver, low pressure control

HP rating in hundredths of HP, i.e.: 0033=1/3 HP, (OP-UCGC0025R: 0025=1/4 HP)
Power consumption referred at 90°F ambient temperature

Model no	Condenser fan	Receiver lbs @ 90%	Dimensions (in) ⁽¹⁾						Weight (lbs)	MCA (A)	Electrical code	Wiring diagram code ⁽²⁾
	Fan blade Ø (in)		Figure	Height H (in)	Width W (in)	Depth D (in)	Suction line	Liquid line	Gross			
OP-UCHC0020R	9	-	1	10.2	12.3	14	3/8" F	1/4" F	39	5.2	B	119-3987
OP-UCHC0025R	9	2.16	2	10.3	13.5	17	3/8" F	1/4" F	50	6.2	B	119-3987
OP-UCHC0033R	9	2.16	2	10.3	13.5	17	3/8" F	1/4" F	49	7.6	B	119-3987
OP-UCHC0050R	10	2.16	3	11.8	13.5	17	3/8" F	1/4" F	60	11.8	B	119-3993
							1/2" F			4.3	N	119-3995
OP-HCHC0060U	12	4	3	14	16.3	19	3/8" F	1/4" F	70	14.1	B	119-3983
										7.1	N	119-3995
OP-HCHC0075U	12	4	3	13.3	17	19	1/2" S	1/4" F	78	22.5	B	119-3992
			4							9.4	N	119-3990
OP-HCHC0100U	12	4	4	13.3	16.9	19	1/2" S	1/4" F	91	10.8	N	119-3990

⁽¹⁾ Dimensions (in) available on pages 16-19

⁽²⁾ Wiring diagram available on pages 14-15
For spare parts, see pages 12-13

Fan	Model no	Version	Electrical code	Code no	Compressor model	Amb. temp.		Capacity range in (btu/hr) at evaporating temperature										Power consumption [W] at evap. temp. -10 F	
						°F	°C	-40	-35	-30	-25	-20	-15	-10	-5	0	5		10
								-40.0	-37.2	-34.4	-31.7	-28.9	-26.1	-23.3	-20.6	-17.8	-15.0		-12.2
Single fan	OP-UHC0020R	WA	B	114N2316	TF4CLX	90	32	350	400	450	550	600	700	800	900	1000	1100	1250	200
						95	35	300	350	450	500	550	650	750	850	950	1050	1200	
						100	38	300	350	400	450	550	600	700	800	900	1000	1100	
						110	43	250	300	350	400	500	550	650	700	800	900		
	OP-UHC0025R	WB	B	114N2318	NF5.5CLX	90	32	600	700	800	900	1050	1200	1350	1500	1650	1850	2050	300
						95	35	550	650	750	900	1000	1150	1250	1400	1600	1750	1950	
						100	38	550	600	700	850	950	1050	1200	1350	1500	1650	1850	
						110	43	450	550	650	750	850	950	1100	1250	1350	1550	1700	
	OP-UHC0033R	WB	B	114N2321	NF7CLX	90	32	750	850	1000	1100	1300	1450	1650	1800	2050	2250	2500	400
						95	35	700	800	950	1050	1200	1400	1550	1750	1950	2150	2400	
						100	38	650	750	850	1000	1150	1300	1450	1650	1850	2050	2250	
						110	43	550	650	750	900	1000	1150	1350	1500				
	OP-UHC0050R	WB	B	114N2324	SC10CL	90	32			1100	1300	1500	1700	1900	2150	2400	2700	2950	500
						95	35			1000	1200	1400	1600	1850	2050	2300	2550	2850	
						100	38			900	1100	1300	1500	1750	1950	2200	2450	2700	
						110	43			750	950	1150	1350	1550	1750	2000	2250	2500	
	OP-LHC0050R	WB	B	114N2389	SC12CLX2	90	32	1050	1250	1450	1700	1950	2200	2500	2800	3150	3450	3850	650
						95	35	950	1150	1350	1600	1850	2100	2400	2650	3000	3300	3650	
						100	38	850	1050	1250	1500	1700	2000	2250	2500	2800	3150	3450	
						110	43	700	900	1100	1300	1500	1750	2000	2300	2550	2850	3150	
OP-LHC0060U	WC	B	114N2335	SC15CLX.2	90	32	1350	1550	1850	2100	2400	2700	3050	3400	3800	4200	4600	700	
					95	35	1250	1450	1700	1950	2250	2550	2900	3200	3600	3950	4350		
	N	114N2336	100	38	1150	1350	1600	1850	2100	2400	2700	3050	3400	3750	4100				
			110	43	950	1150	1400	1600	1850	2150	2400	2700	3050	3350					
OP-LHC0075U	WC	B	114N2337	NT2178GK	90	32	1450	1800	2150	2550	2950	3400	3900	4400	4950	5550	6200	850	
					95	35	1400	1750	2100	2450	2900	3350	3800	4300	4850	5450	6100		
		N	114N2338	100	38		1650	2000	2400	2800	3250	3750	4250	4800	5350	6000			
				110	43						3100	3600	4100	4650	5200				
OP-LHC0100U	WD	N	114N2339	NJ2192GK	90	32	1700	2250	2800	3400	4000	4650	5350	6000	6800	7550	8400	1150	
					95	35	1550	2100	2650	3200	3850	4500	5150	5850	6600	7400	8250		
					100	38		1900	2500	3050	3650	4300	5000	5700	6450	7250	8100		
					110	43						4000	4700	5400	6150	7000			

Test condition
 Return gas temperature 65°F
 Subcooling 5°F

Electrical code
B: Compressor & fan(s) 115V, 1 ph, 60 Hz
N: Compressor & fan(s) 230V, 1 ph, 60 Hz

Version
WA: power cord
WB: power cord, receiver
WC: electrical box, receiver, power cord
WD: electrical box, receiver, low pressure control

HP rating in hundredths of HP, i.e.: 0033=1/3 HP, (OP-UHC0025R: 1/4 HP)
 Power consumption referred at 90°F ambient temperature

Model no	Condenser fan	Receiver lbs @ 90%	Dimensions (in) ⁽¹⁾						Weight (lbs)		MCA (A)	Electrical code	Wiring diagram code ⁽²⁾
	Fan blade Ø (in)		Figure	Height H (in)	Width W (in)	Depth D (in)	Suction line	Liquid line	Gross				
OP-UCHC0020R	9	-	1	10.2	12.3	14	3/8" F	1/4" F	39	5.2	B	119-3987	
OP-UCHC0025R	9	2.16	2	10.3	13.5	17	3/8" F	1/4" F	50	6.2	B	119-3987	
OP-UCHC0033R	9	2.16	2	10.3	13.5	17	3/8" F	1/4" F	49	7.6	B	119-3987	
OP-UCHC0050R	10	2.16	3	11.8	13.5	17	3/8" F	1/4" F	60	11.8	B	119-3993	
									58	4.3	N	119-3995	
OP-LCHC0050R	10	2.16	3	11.9	13.5	17.3	1/2" F	1/4" F	58	11.8	B	119-3993	
OP-LCHC0060U	10	2.16	3	11.8	13.5	17	1/2" F	1/4" F	58	14.2	B	119-3983	
										6.3	N	119-3990	
OP-LCHC0075U	10	4	4	11.9	13.3	18	1/2" F	1/4" F	76	12.2	B	119-3992	
										5.5	N	119-3990	
OP-LCHC0100U	12	4	4	13.4	17.5	19	1/4" F	1/2" F	105	8	N	119-3990	

⁽¹⁾Dimensions (in) available on pages 16-19

⁽²⁾Wiring diagram available on pages 14-15
For spare parts, see pages 12-13

Optyma™ condensing unit R134a - MBP

Code no	Model no	Compressor		Fan motor	Fan blade	Condenser	Low pressure switch	Start capacitor	Run capacitor	Relay
		Model	Code no							
114N2016	OP-UCGC0017RWA000B	TL4G	195B0003	119-5661	119-5671	119-8056	N/A	119-7769	N/A	119-7763
114N2017	OP-UCGC0020RWA000B	NF6.1FX2	195B0560	119-5662	119-5670	119-8057	N/A	119-7770	N/A	119-7760
114N2019	OP-UCGC0025RWB000B	NF7.3FX2	195B0586	119-5662	119-5670	119-8057	N/A	119-7770	N/A	119-7758
114N2022	OP-HCGC0033RWB000B	NF11FX	195B0388	119-5662	119-5669	119-8045	N/A	119-7771	N/A	119-7759
114N2023	OP-UCGC0050RWC000B	SC18G	195B0276	119-5663	119-5672	119-8047	N/A	119-7771	N/A	119-7757
114N2025	OP-HCGC0055RWB000B	NT6215Z	119-8027	119-5663	119-5672	119-8047	N/A	119-8073	N/A	119-8098
114N2026	OP-HCGC0055UWC000B	NT6215Z	119-8027	119-5663	119-5672	119-8047	N/A	119-8074	N/A	119-8099
114N2027	OP-HCGC0075UWC000B	NJ6220Z	119-8028	119-5660	119-5674	119-8058	N/A	119-8075	N/A	119-8100
114N2028	OP-HCGC0075UWC000N	NJ6220Z	119-8029	119-5659	119-5674	119-8058	N/A	119-8076	N/A	119-8101
114N2029	OP-HCGC0100UWD000N	NJ6226Z	119-8030	119-5659	119-5674	119-8059	060-5233	119-8068	119-8087	119-8102

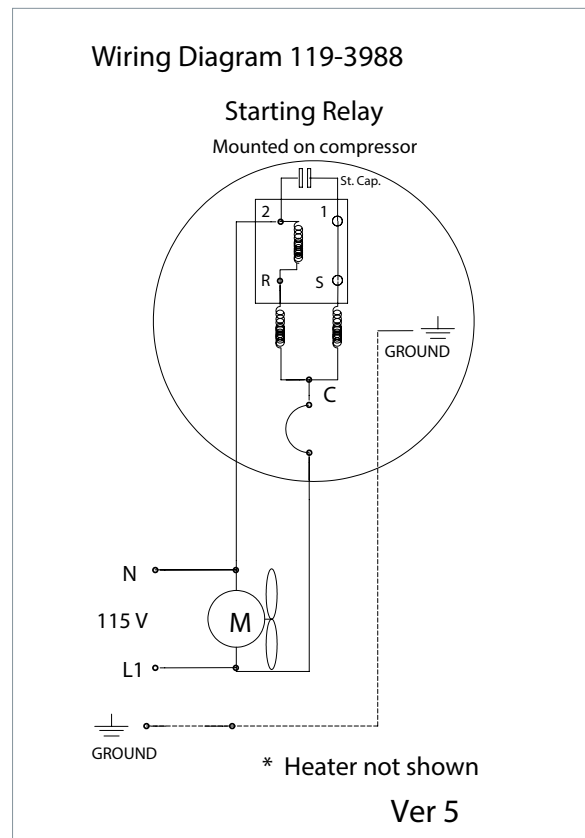
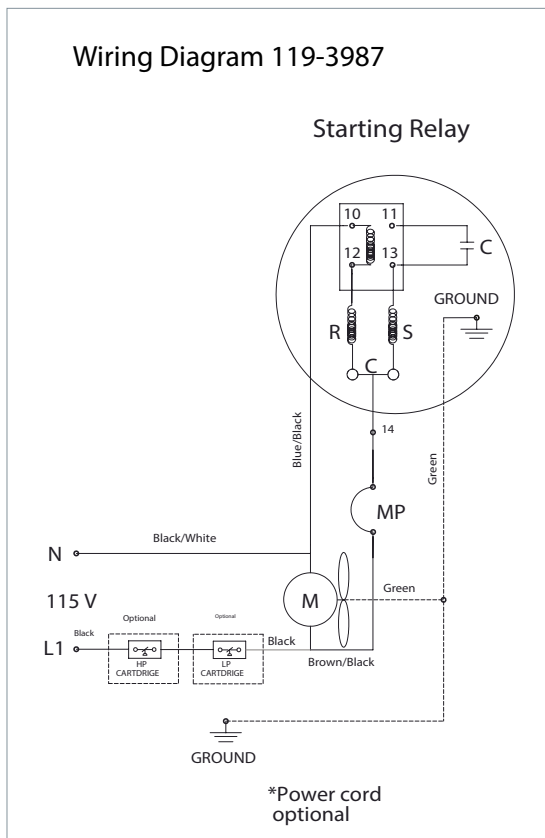
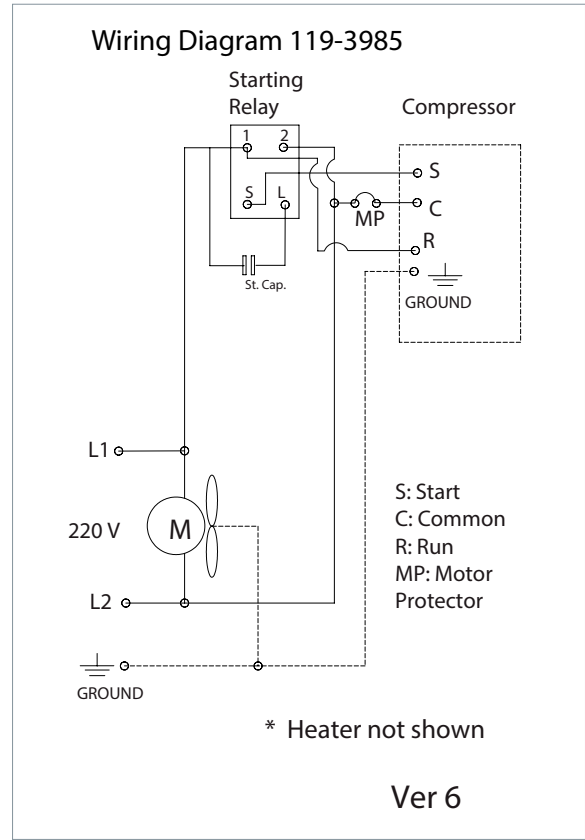
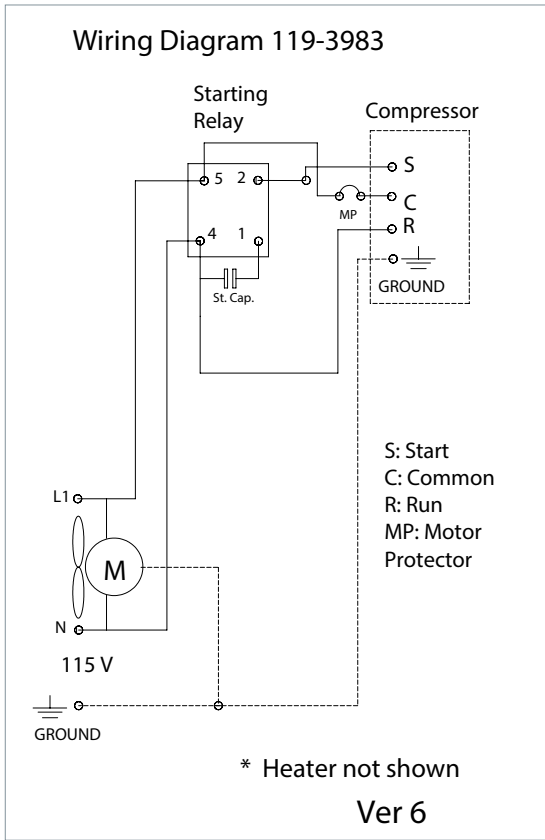
Optyma™ condensing unit R404A/R507 - MBP

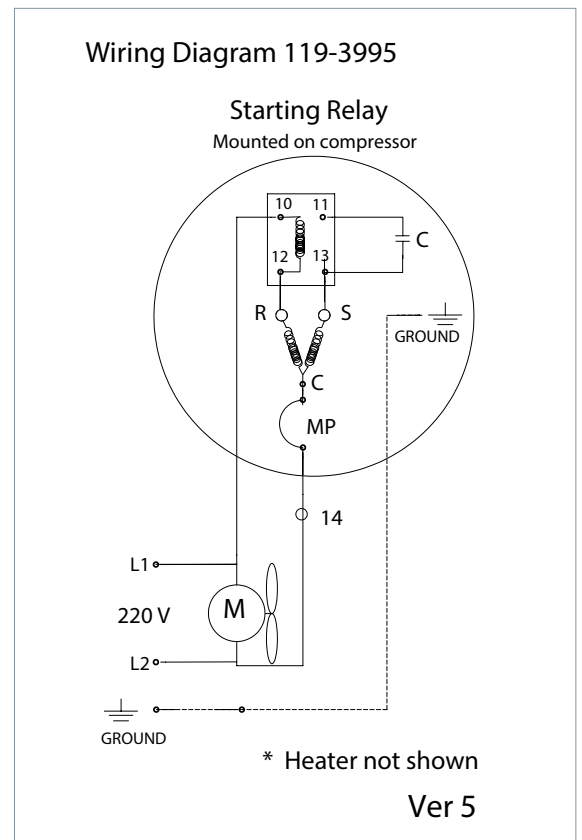
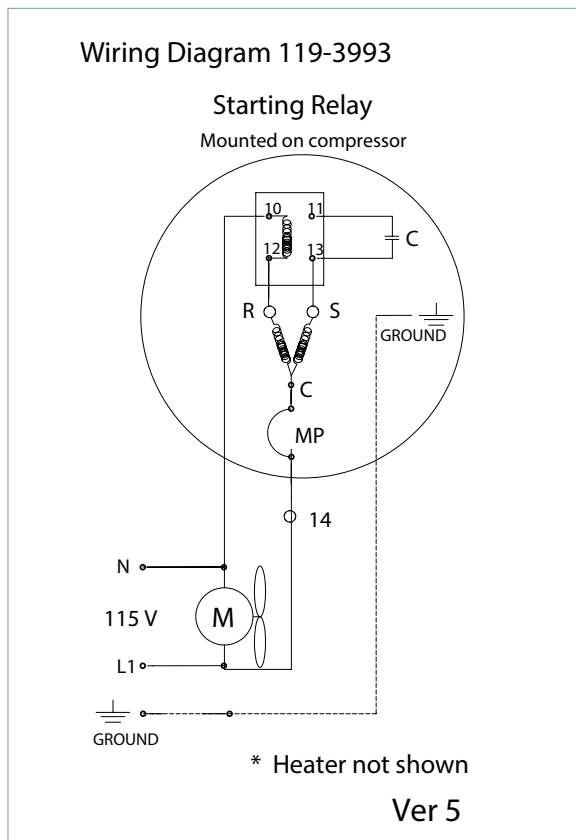
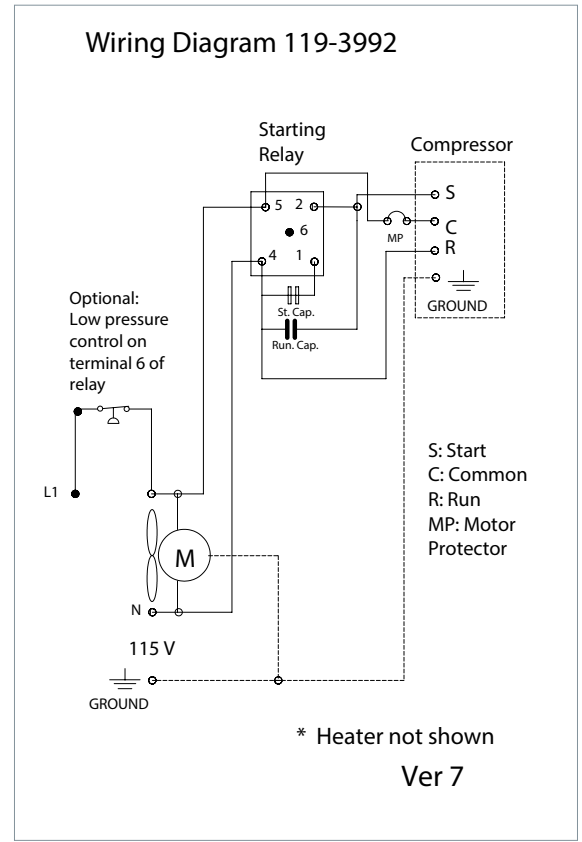
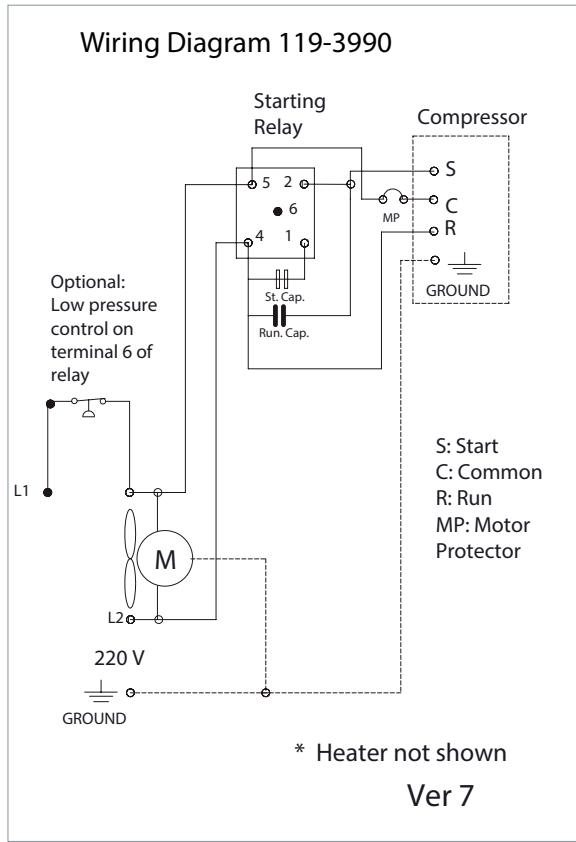
Code no	Model no	Compressor		Fan motor	Fan blade	Condenser	Low pressure switch	Start capacitor	Run capacitor	Relay
		Model	Code no							
114N2316	OP-UHC0020RWA000B	TF4CLX	195B0468	119-5662	119-5669	119-8045	N/A	119-7770	N/A	119-7762
114N2318	OP-UHC0025RWB000B	NF5.5CLX	195B0348	119-5662	119-5669	119-8046	N/A	119-7770	N/A	119-7758
114N2321	OP-UHC0033RWB000B	NF7CLX	195B0672	119-5662	119-5669	119-8046	N/A	119-7768	N/A	119-7761
114N2324	OP-UHC0050RWB000B	SC10CL	195B0147	119-5663	119-5672	119-8047	N/A	119-7769	N/A	119-7766
114N2325	OP-UHC0050UWC000N	SC10CL	195B0671	119-5665	119-5672	119-8047	N/A	119-7767	N/A	119-7764
114N2328	OP-HCHC0060UWC000B	SC12MLX	195B0510	119-5660	119-5674	119-8048	N/A	119-7771	N/A	119-7757
114N2329	OP-HCHC0060UWC000N	SC12MLX	195B0323	119-5659	119-5674	119-8048	N/A	119-7767	N/A	119-7765
114N2330	OP-HCHC0075UWC000B	SC18MLX	195B0306	119-5660	119-5674	119-8058	N/A	119-7771	N/A	119-7757
114N2331	OP-HCHC0075UWC000N	NT6220GK	119-8034	119-5659	119-5674	119-8058	N/A	119-8077	119-8088	119-8103
114N2332	OP-HCHC0100UWD000N	NT6222GK	119-8035	119-5659	119-5674	119-8058	060-5233	119-8078	119-8085	119-8103

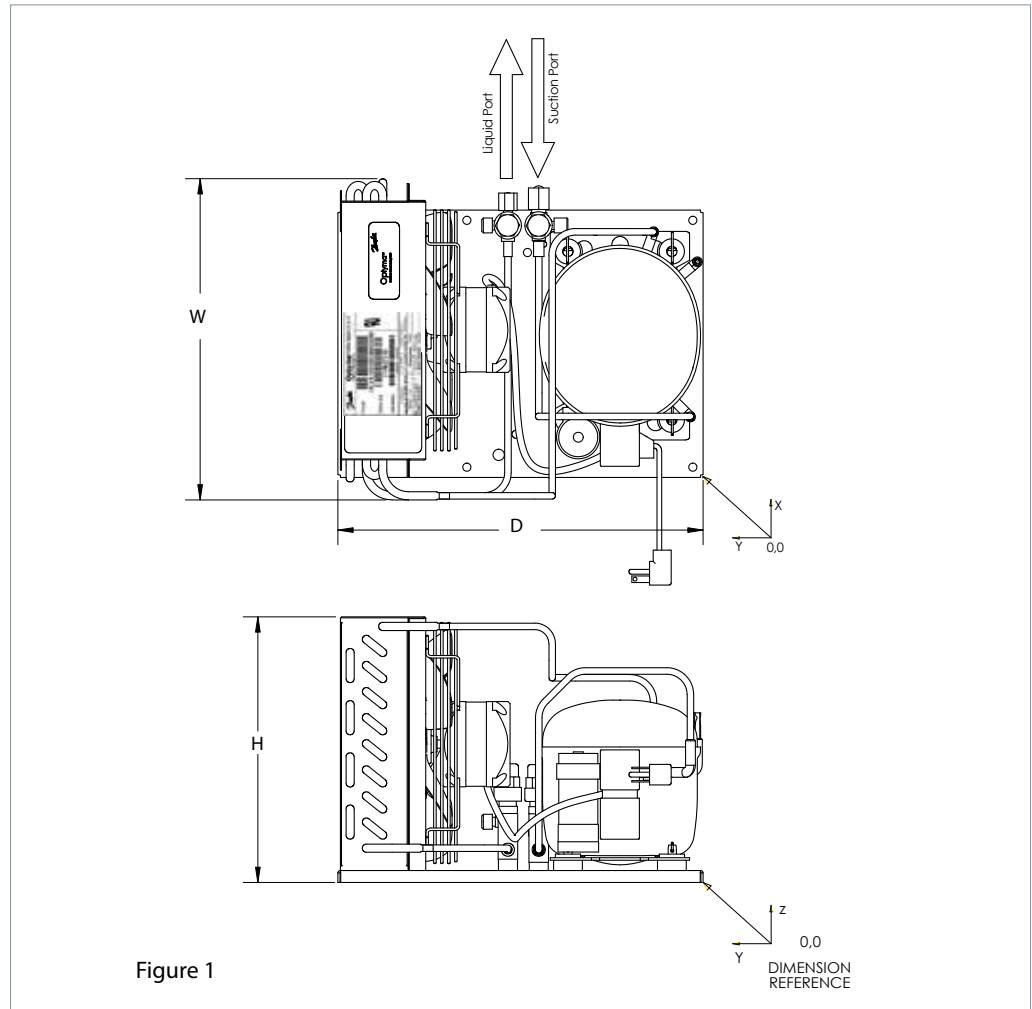
Optyma™ condensing unit R404A/R507 - LBP

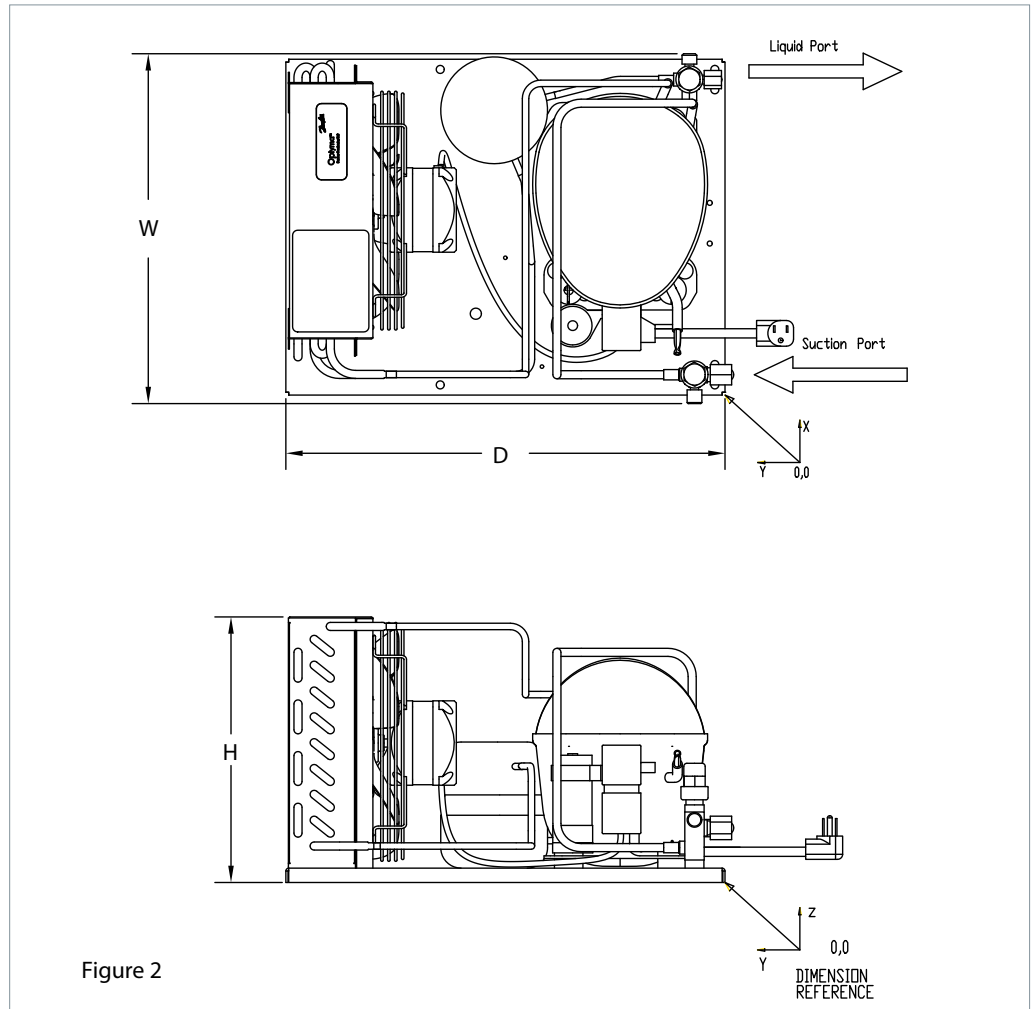
Code no	Model no	Compressor		Fan motor	Fan blade	Condenser	Low pressure switch	Start capacitor	Run capacitor	Relay
		Model	Code no							
114N2316	OP-UCHC0020RWA000B	TF4CLX	195B0468	119-5662	119-5669	119-8045	N/A	119-7770	N/A	119-7762
114N2318	OP-UCHC0025RWB000B	NF5.5CLX	195B0348	119-5662	119-5669	119-8046	N/A	119-7770	N/A	119-7758
114N2321	OP-UCHC0033RWB000B	NF7CLX	195B0672	119-5662	119-5669	119-8046	N/A	119-7768	N/A	119-7761
114N2324	OP-UCHC0050RWB000B	SC10CL	195B0147	119-5663	119-5672	119-8047	N/A	119-7769	N/A	119-7766
114N2325	OP-UCHC0050UWC000N	SC10CL	195B0671	119-5665	119-5672	119-8047	N/A	119-7767	N/A	119-7764
114N2389	OP-LCHC0050RWB000B	SC12CLX2	195B0491	119-5663	119-5672	119-8047	N/A	119-7769	N/A	119-7766
114N2335	OP-LCHC0060UWC000B	SC15CLX2	195B0237	119-5663	119-5672	119-8047	N/A	119-7771	N/A	119-7757
114N2336	OP-LCHC0060UWC000N	SC15CLX	195B0646	119-5665	119-5672	119-8047	N/A	119-7756 ⁽¹⁾	119-7756 ⁽¹⁾	119-7756 ⁽¹⁾
114N2337	OP-LCHC0075UWC000B	NT2178GK	119-8031	119-5663	119-5672	119-8047	N/A	119-8070	119-8089	119-8104
114N2338	OP-LCHC0075UWC000N	NT2178GK	119-8032	119-5665	119-5672	119-8047	N/A	119-8079	119-8085	119-8105
114N2339	OP-LCHC0100UWD000N	NJ2192GK	119-8033	119-5659	119-5674	119-8058	060-5233	119-8080	119-8090	119-8106

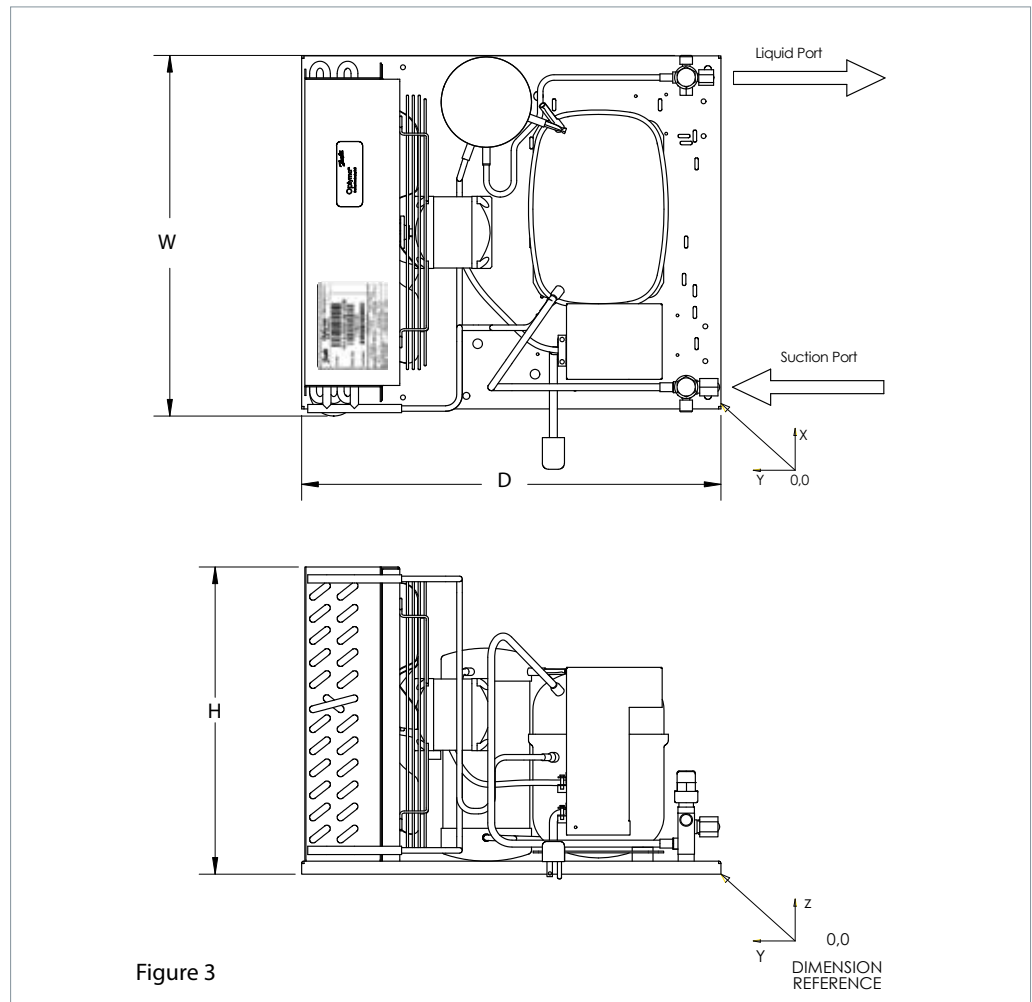
⁽¹⁾ 119-7756 is a starting device containing start capacitor, run capacitor and relay

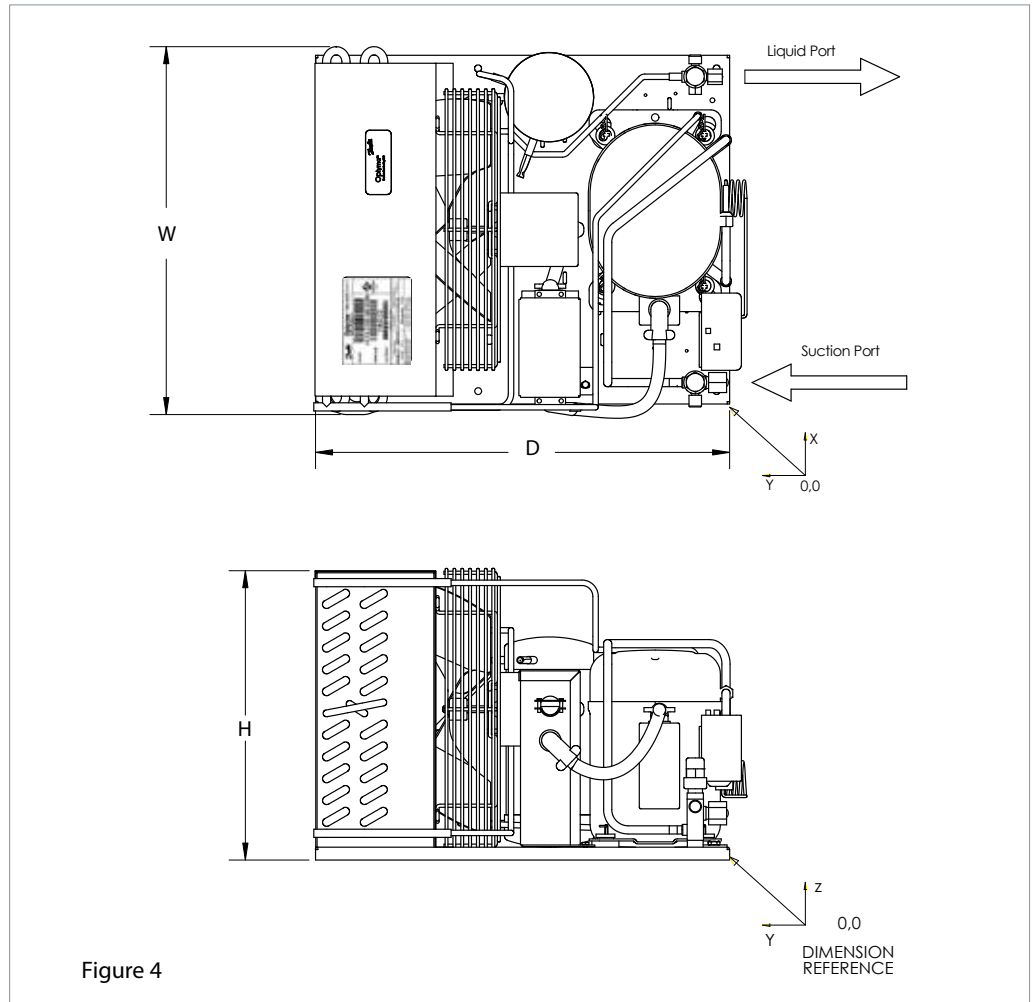












Danfoss Commercial Compressors

is a worldwide manufacturer of compressors and condensing units for refrigeration and HVAC applications. With a wide range of high quality and innovative products we help your company to find the best possible energy efficient solution that respects the environment and reduces total life cycle costs.

We have 40 years of experience within the development of hermetic compressors which has brought us amongst the global leaders in our business, and positioned us as distinct variable speed technology specialists. Today we operate from engineering and manufacturing facilities spanning across three continents.



Danfoss Scrolls



Danfoss Inverter Scrolls



Danfoss Turbocor Compressors



Danfoss Light Commercial Refrigeration Compressors



Danfoss Maneurop Reciprocating Compressors



Danfoss Optyma Condensing Units

Our products can be found in a variety of applications such as rooftops, chillers, residential air conditioners, heatpumps, coldrooms, supermarkets, milk tank cooling and industrial cooling processes.

www.danfoss.us/aftermarket



Danfoss can accept no responsibility for possible errors in catalogues, brochures and other printed material. Danfoss reserves the right to alter its products without notice. This also applies to products already on order provided that such alterations can be made without subsequent changes being necessary in specifications already agreed. All trademarks in this material are property of the respective companies. Danfoss and the Danfoss logotype are trademarks of Danfoss A/S. All rights reserved.